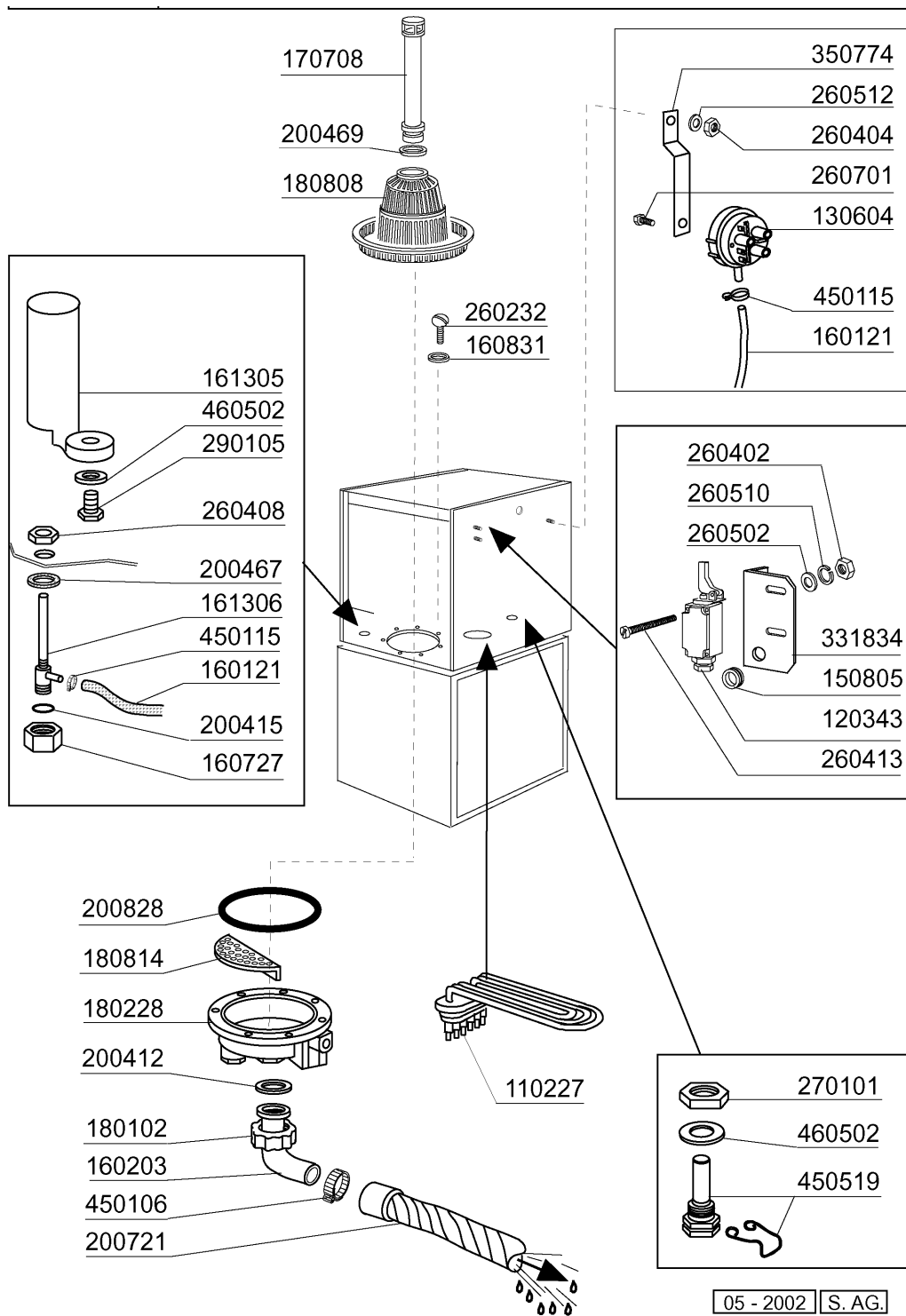


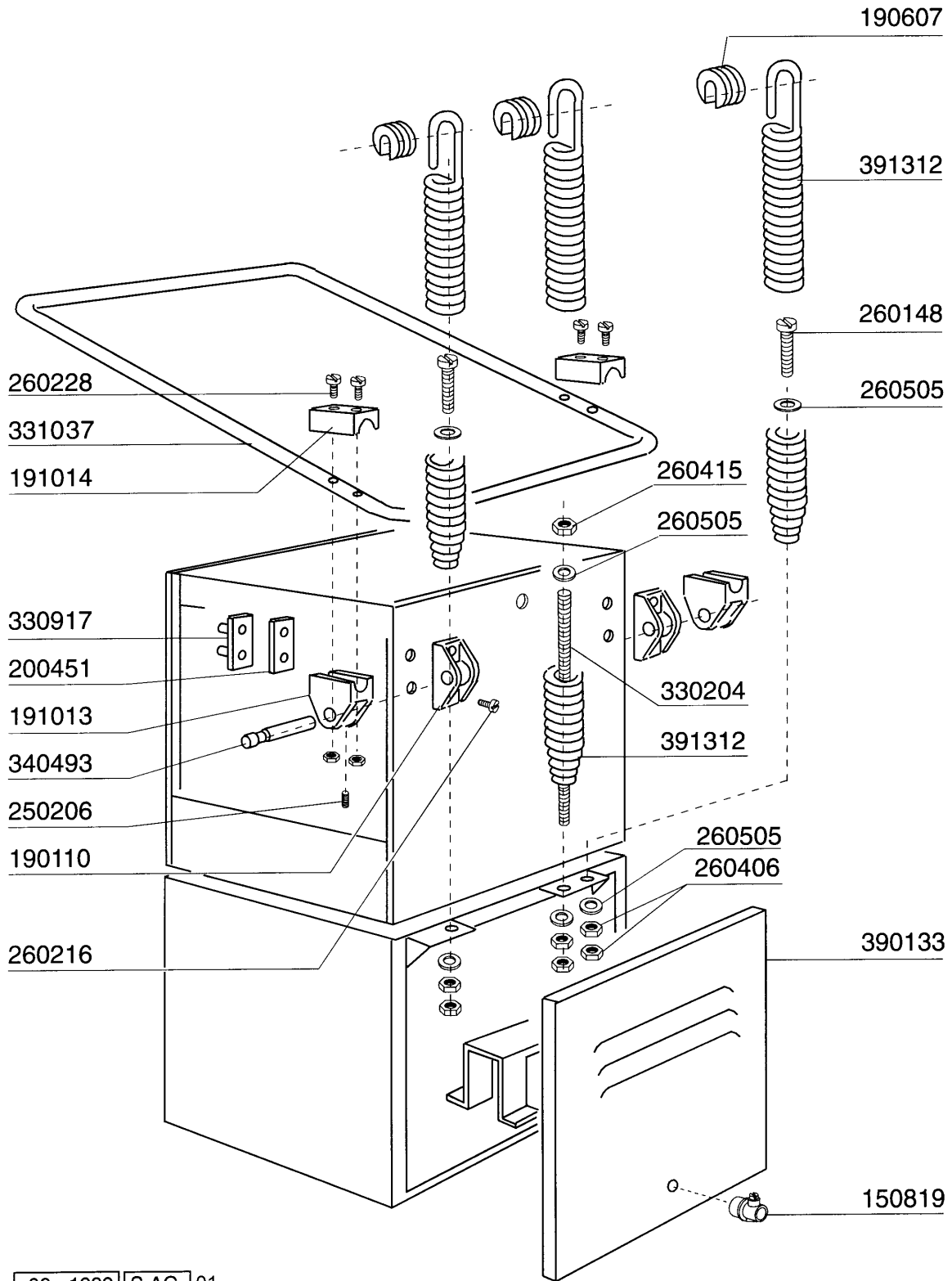
**2 - Hood**

<b>CODE</b>	<b>DESCRIPTION</b>
160509	FOOT SUPPORT
160811	WASHER F2 18X8.5X1 ALGOF
161110	BACK COVER S90-C85-140
180605	RIGHT GUIDE F. DOOR C30-70
180606	LEFT GUIDE F. DOOR C30-70
190637	GUIDE FOR DOOR "C"
190638	ROLLER FOR "C" DOOR GUIDE
200402	SELF-ADHES.RUBB.SPONGE STRIPS
200433	SPONGY RUBBER RECT. 6X2,5 ADHE
210203	RUBBER FOOT 30 MM
260147	SCREW TE 8X12 SPECIAL
260227	M5 X 30 MUSHROOM HEAD SCREW
260248	SPECIAL SCREW TB 5X12
260503	STAINL.STEEL FLAT WASHER D5 UN
320627	FIXING PLATE F.GUIDES C30-70
320927	DOOR C30 C70
321970	GUIDE
331919	SPLASH GUARD FOR C75 (NEW HOOD
350840	PLATE SUPPORT C70-C85-C140
351534	FRONT PANEL



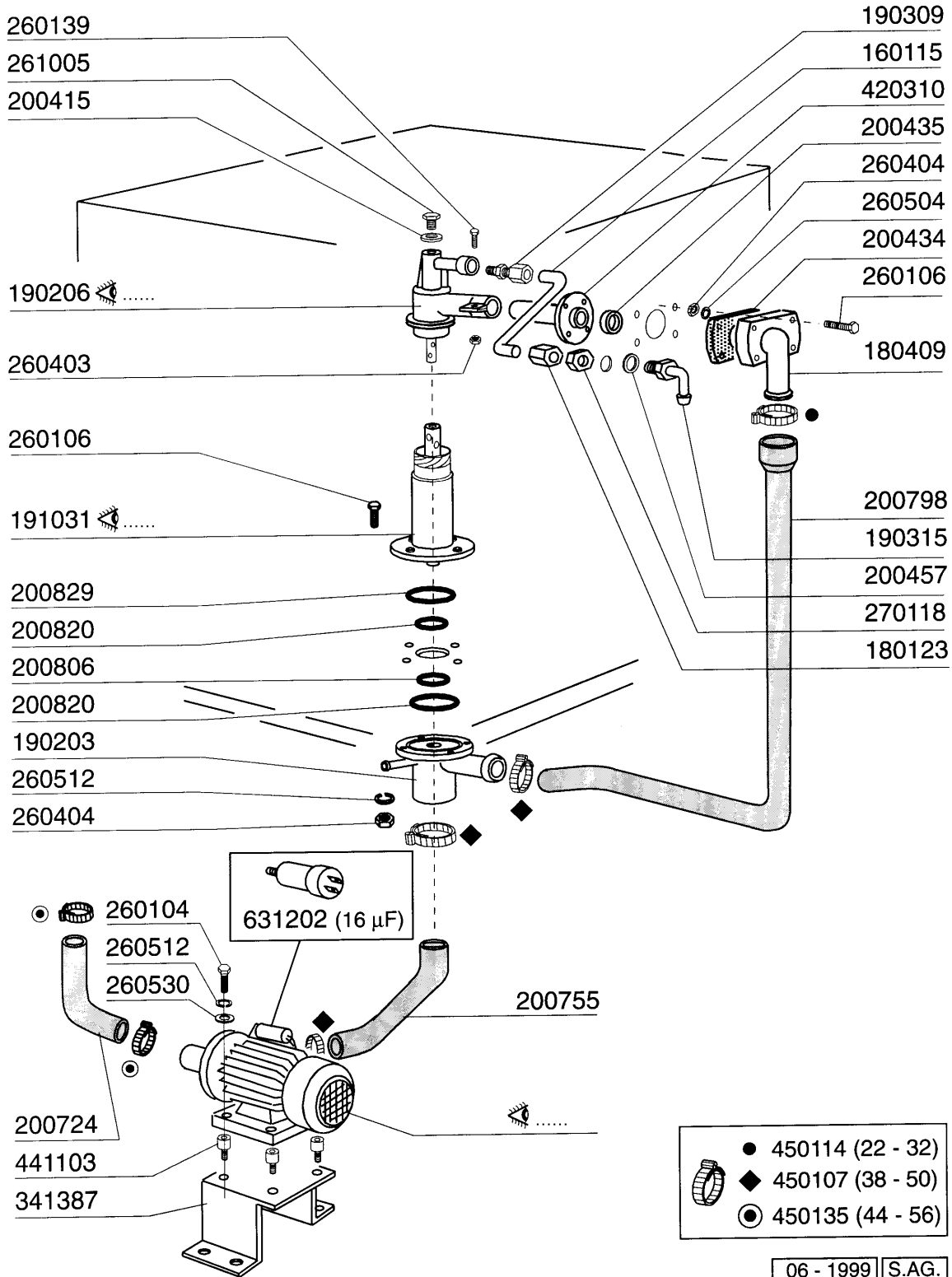
3 - Tank

CODE	DESCRIPTION
110227	HEAT. ELEMENT 3000W 230/400V
120343	MICRO SWITCH (120364)
130604	PRESSURE SWITCH 80-50 1 LEVEL
150805	CABLE HOLDER 18X22X1
160121	HOSE EPDM D. 5 X 9
160203	ELBOW 1"1/2 N-S-F-C /DRAIN
160727	PLUG 1/2 NTP CAP
160831	WASHER F2 17X6X3
161305	AIR CHAMBER F45-F80
161306	HOSE FOR AIR CHAMBER F45-80
170708	OVERFLOW PIPE H 215 X F3 C30-F
180102	DRAIN PIPE NUT 1"1/2 F45-55
180228	TANK SUCTION BASIN WITHOU.PRES
180808	STRAINER F2-45-55-80
180814	PROTECT.FILTER OF INLET PUMPE
200412	GASKET DRAIN 11/2" 45X33X3
200415	AIR TRAP GASKET -F2 18,5X10X3
200467	DUTRAL GASKET F. AIR TRAP
200469	STAND PIPE O RING 45X35,5X7
200721	DRAIN HOSE 28X35 2MT.
200828	O-RING 183,75X190,81X3,53
260232	STAINL.ST TB SCREW 6X25 B15-6-
260402	STAINLESS STEEL NUT D4 UNI 55
260404	STAINLESS STEEL NUTS D6 UNI 55
260408	S/S NUTS D.12
260413	STAINLESS STEEL NUTS D5 SPEC.
260502	S/S FLAT WASHER D.4
260510	GROWER WASHER D.4
260512	ST/ST GROWER WASHER D6
260701	SCREW 3,5X9,5
270101	HEXAGON LOCK NUT 1/2"
290105	BRASS-TE-PLUG 1/2"
331834	BRACKET FOR MICRO SWITCH C70-7
350774	BRACKET
450106	CLAMP FE ZN 32-44 H=12,2
450115	ELASTIC CLAMP D.8,3/7,8
450519	TANK THERMOSTAT SHIELD C-F
460502	GASKET 30X21X2



**4 - Handle**

<b>CODE</b>	<b>DESCRIPTION</b>
150819	CABLE HOLDER PG16 WITH HOLE
190110	SUPPORT HANDLE C30 BLACK
190607	HANDLE BUSH C30-70
191013	HINGE F. SUPPORT C30-C70
191014	FLANGE F. HANDLE C30-70
200451	GASKET COUNTERFL.C30 30X100X3
250206	GRUB SCREW D.6
260148	SCREW TE 8X130
260216	SCREW TCP 6X20
260228	STAINL.ST SPECIAL SCREW 6X42 3
260406	NUT 8MA
260415	STAINLESS STEEL SELF-LOCKING N
260505	STAINL.STEEL FLAT WASHER D8
330204	SPRING HOOK C95/155-LC380
330917	COUNTER FLANGE F.HANDLE SUPP.C
331037	HANDLE C95-155-165 ISOLATED
340493	PIN F. HINGE C30
390133	BACK PANEL C70
391312	SPRING HANDLE C30-C70

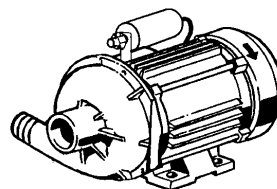


## 5 - Wash

CODE	DESCRIPTION
160115	PL.TUBE.D.9.5 B41 (3/8) C30-
180123	CONNECTION NUT / RINSE 5/8 C30
180409	UPPER CONNECTOR F. WASHING C30
190203	LOWER TEE WASH-RINSE F2-45-55-
190206	UPPER WASH-RIN ARM SUPPORT C30
190309	CONNECTION STRAIGHT 3/8"B41C30
190315	ELL RINSE C30-70
191031	LOWER WASH ARM SUPPORT C30-F80
200415	AIR TRAP GASKET -F2 18,5X10X3
200434	GASKET CONNECTION C30 R50
200435	GASKET WASH.F2 D.40 C30-70
200457	GASKET D.24X16X3 NEOPRENE
200724	PUMP INLET HOSE C30 - C70
200755	DELIVERY HOSE C70
200798	CONNECTION HOSE FOR C75
200806	O-RING 2,62X13,10X18,34
200820	O-RING151 46,99X5,33X57,6
200829	O-RING 81,92X92,58X5,33
260104	STAINL.ST TE-SCREW A2 6X16 UNI
260106	SCREW TE 6X25
260139	SCREW TE 5X16
260403	NUTS D.5
260404	STAINLESS STEEL NUTS D6 UNI 55
260504	ST/ST FLAT WASHER D6
260512	ST/ST GROWER WASHER D6
260530	STAINL.ST WASHER 7X22X2
261005	SCREW F. TEE UP.WASH F2-B41
270118	NUTS FOR ELBOW 5/8 C30-70
341387	PUMP SUPPORT C70
420310	LOW./UPP.WASH PIPE C30 - 70
441103	PUMP FEET
450107	CLAMP FE ZN 38-50 H=12,2
450114	CLAMP FE ZN.22-32 H=12,2
450135	CLAMP FE ZN. 44-56 H=12,2
631202	CONDENSER 16 MF 450V



100727 (230 V 50 Hz)  
HP 1 - Kw 0,75 (FM 4023)



630241

630522

630420

630130

631674

631202 (16  $\mu$ F)

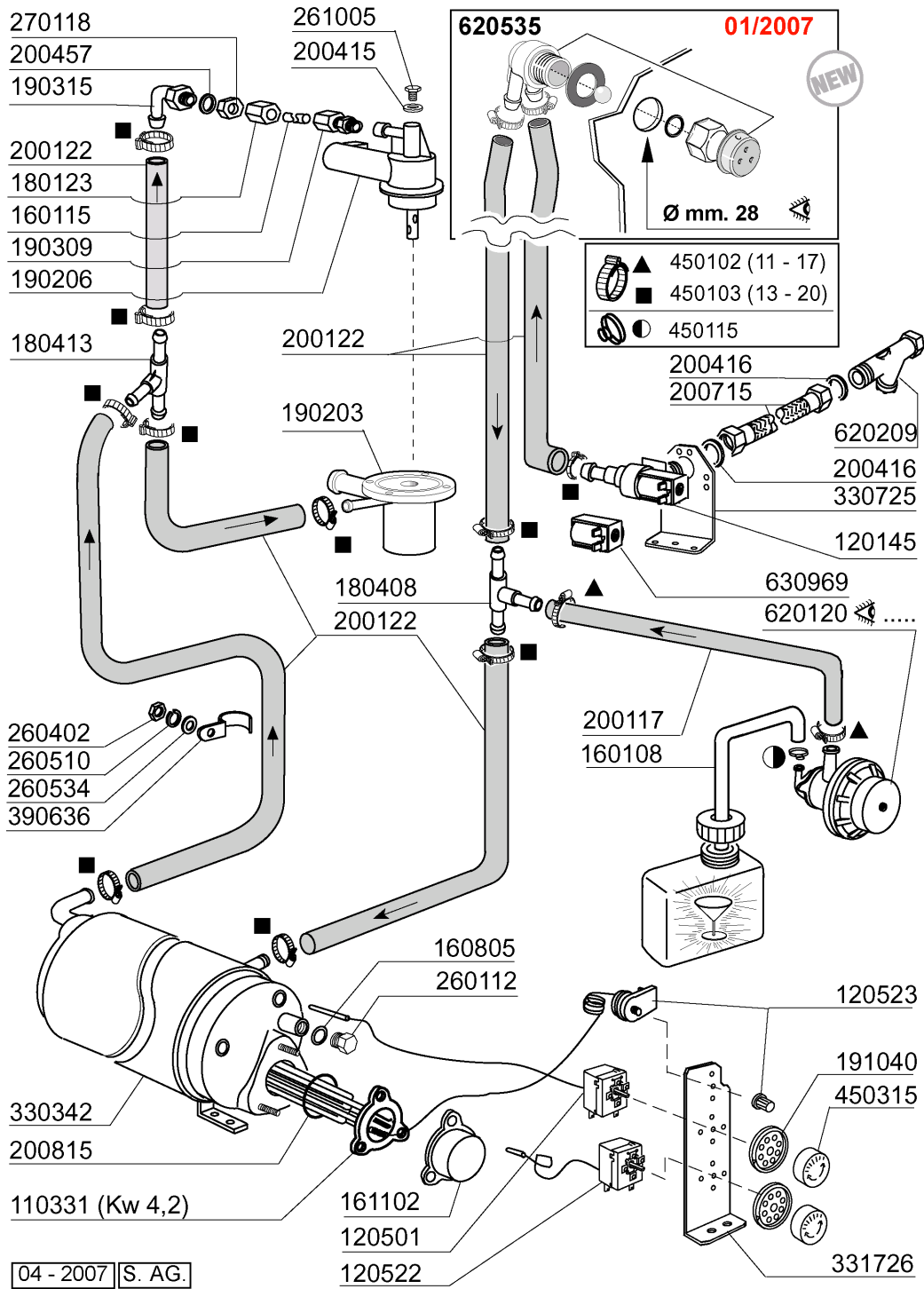
630243

630326

**6 - Pump**

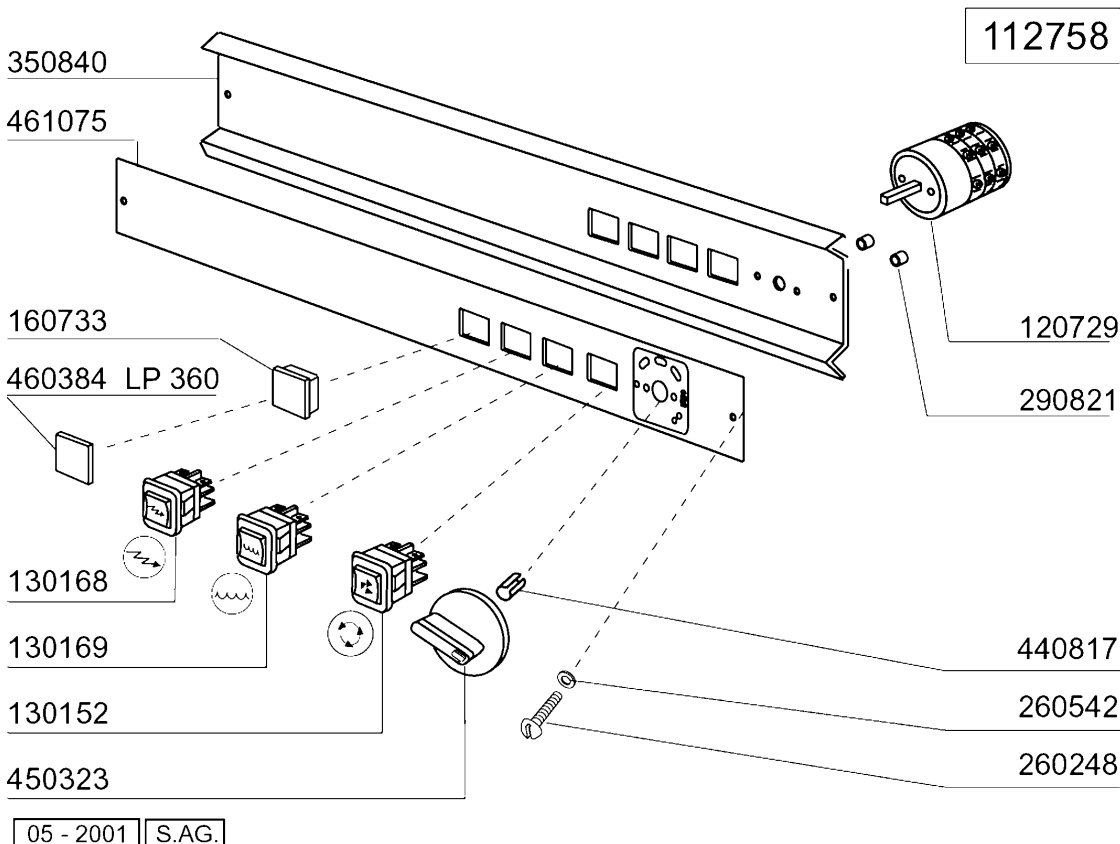
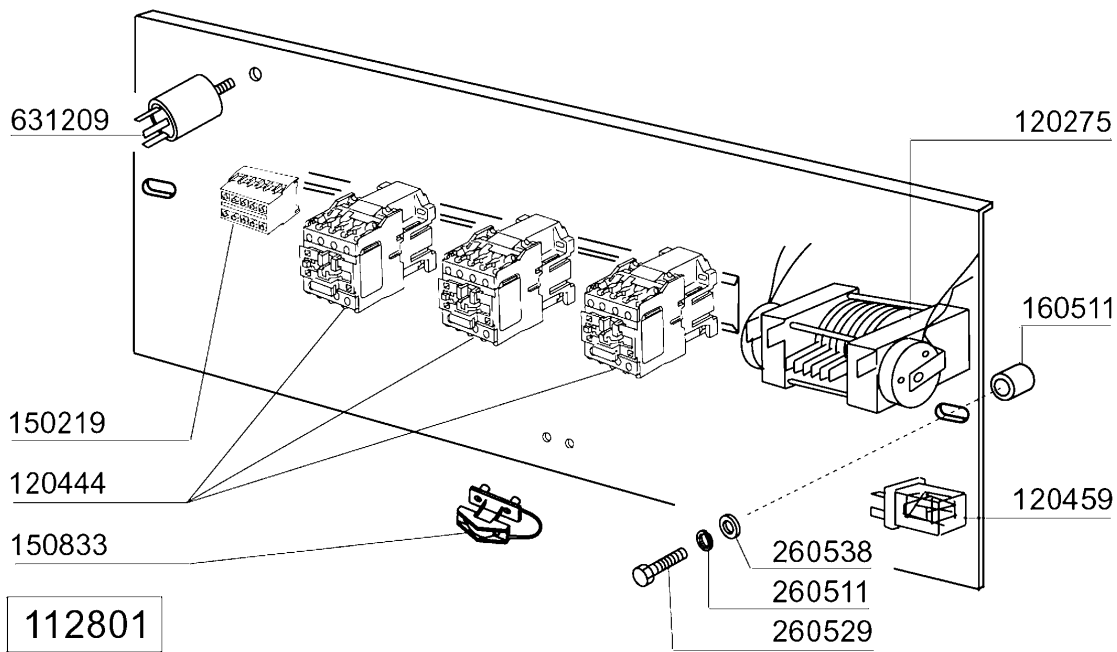
<b>CODE</b>	<b>DESCRIPTION</b>
100727	PUMP 1HP 220/240/1 50HZ LGB
630130	VOLUTE PUMP 1HP LGB
630241	PUMP FLANGE 1HP LGB
630243	PLASTIC FAN HOUSING LGB1HP
630326	COOLING FAN F.PUMP LGB1HP
630420	PUMP GASKET 1HP LGB
630522	PUMP SEAL 1HP LGB
631202	CONDENSER 16 MF 450V
631674	PUMP IMPELLER 1HP LGB

7 - Rinse assembly



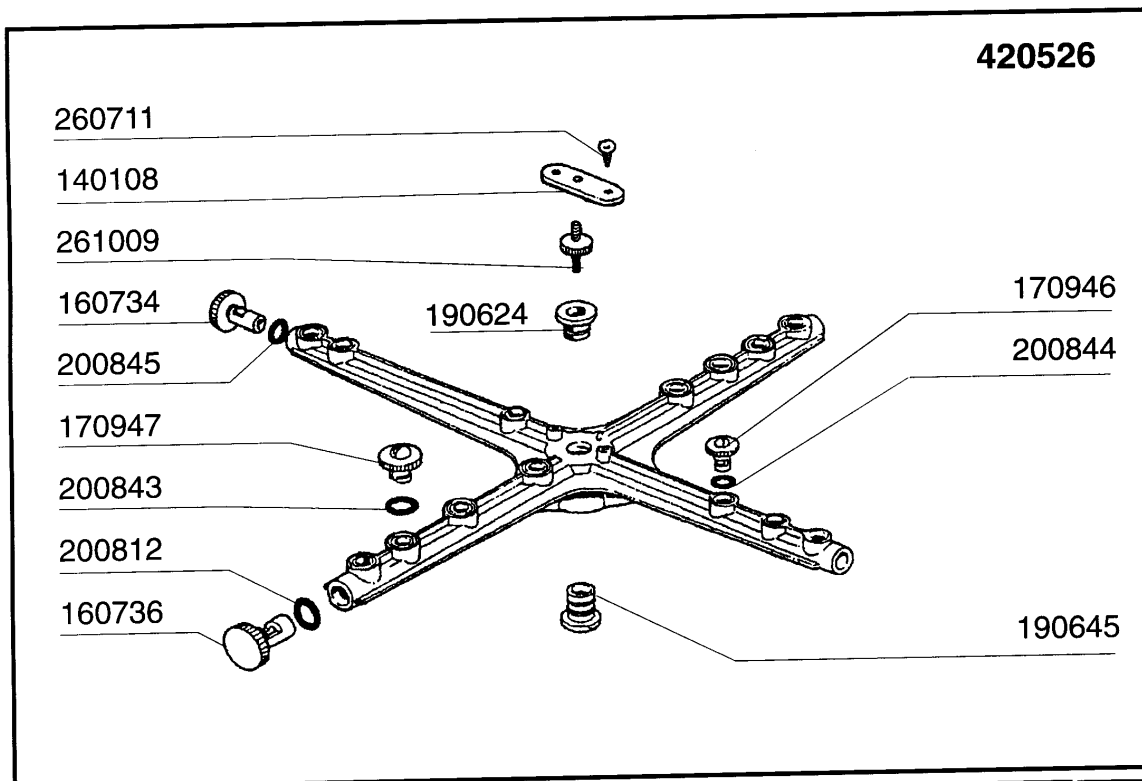
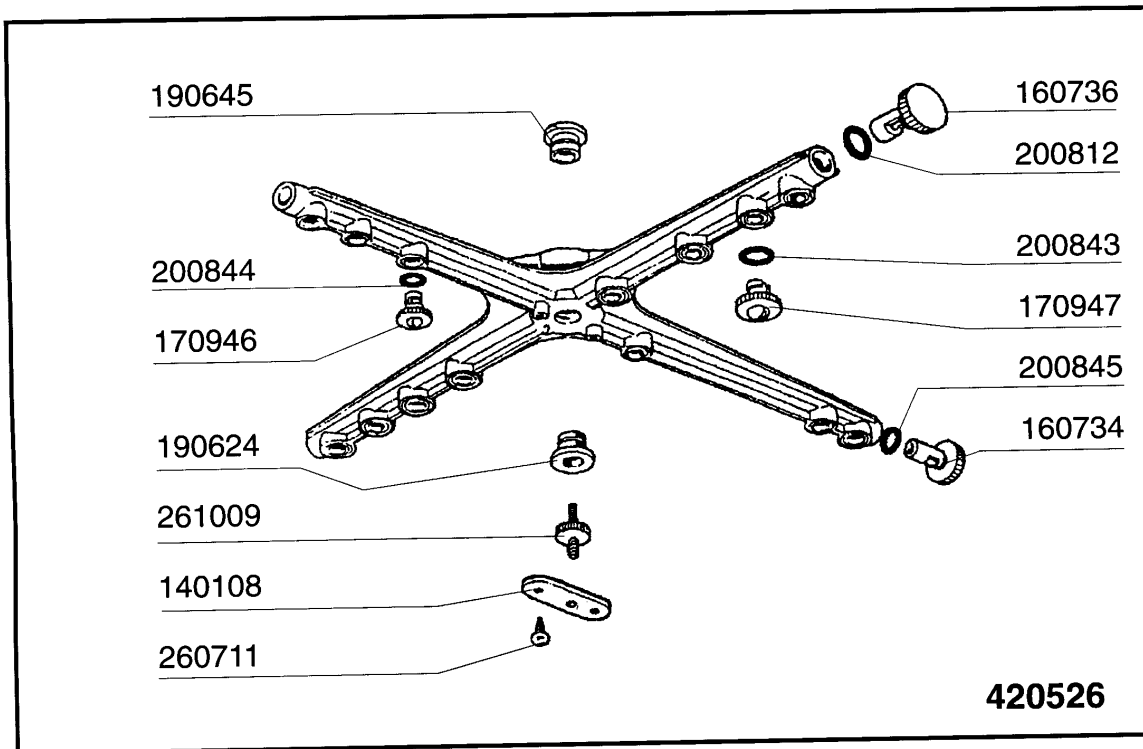
## 7 - Rinse assembly

CODE	DESCRIPTION
110331	HEAT.ELEMENT 4200W 230/400V
120145	SOLENOID VALVE 12 LT 1 WAY
120501	THERMOSTAT 30/90°C
120522	TANK THERMOSTAT 90°
120523	SAFETY THERMOSTAT 110°
160108	INJECT.INLET HOSE D.8X5
160115	PL.TUBE.D.9.5 B41 (3/8) C30-
160805	GASKET D.8
161102	ELEMENT COVER MOPL.
180123	CONNECTION NUT / RINSE 5/8 C30
180408	TEE-NIPPLE F.INJECT.W/CENTR.RE
180413	TEE NIPPLE D.11,5 - RINSE ASSE
190203	LOWER TEE WASH-RINSE F2-45-55-
190206	UPPER WASH-RIN ARM SUPPORT C30
190309	CONNECTION STRAIGHT 3/8"B41C30
190315	ELL RINSE C30-70
191040	FRAME F.THERMOSTAT KNOB
200117	RUBBER HOSE 7X16
200122	HOSE 11X19
200415	AIR TRAP GASKET -F2 18,5X10X3
200416	GASKET D. 3/4"
200457	GASKET D.24X16X3 NEOPRENE
200715	HOSE WATER INLET 2M STAINL.ST
200815	O-RING F. HEAT.ELEM.
260112	STAINLESS STEEL TE-SCREW 8X16
260402	STAINLESS STEEL NUT D4 UNI 55
260510	GROWER WASHER D.4
260534	WASHER
261005	SCREW F. TEE UP.WASH F2-B41
270118	NUTS FOR ELBOW 5/8 C30-70
330342	BOILER C95-C155-C165
330725	STANDARD BRACKET F.SOLEN.VALV
331726	BRACKET FOR 3 THERMOSTATS
390636	BRACKET
450102	CLAMP FE ZN 11-17 H=9
450103	CLAMP FE ZN. 13-20 H=9
450115	ELASTIC CLAMP D.8,3/7,8
450315	KNOB F. THERMOSTAT 90°
620120	RINSE AID INJECTOR
620209	INLET WATER FILTER
620535	VACUUM BREAKER
630969	COIL S4216 220/50HZ



## 8 - Control box

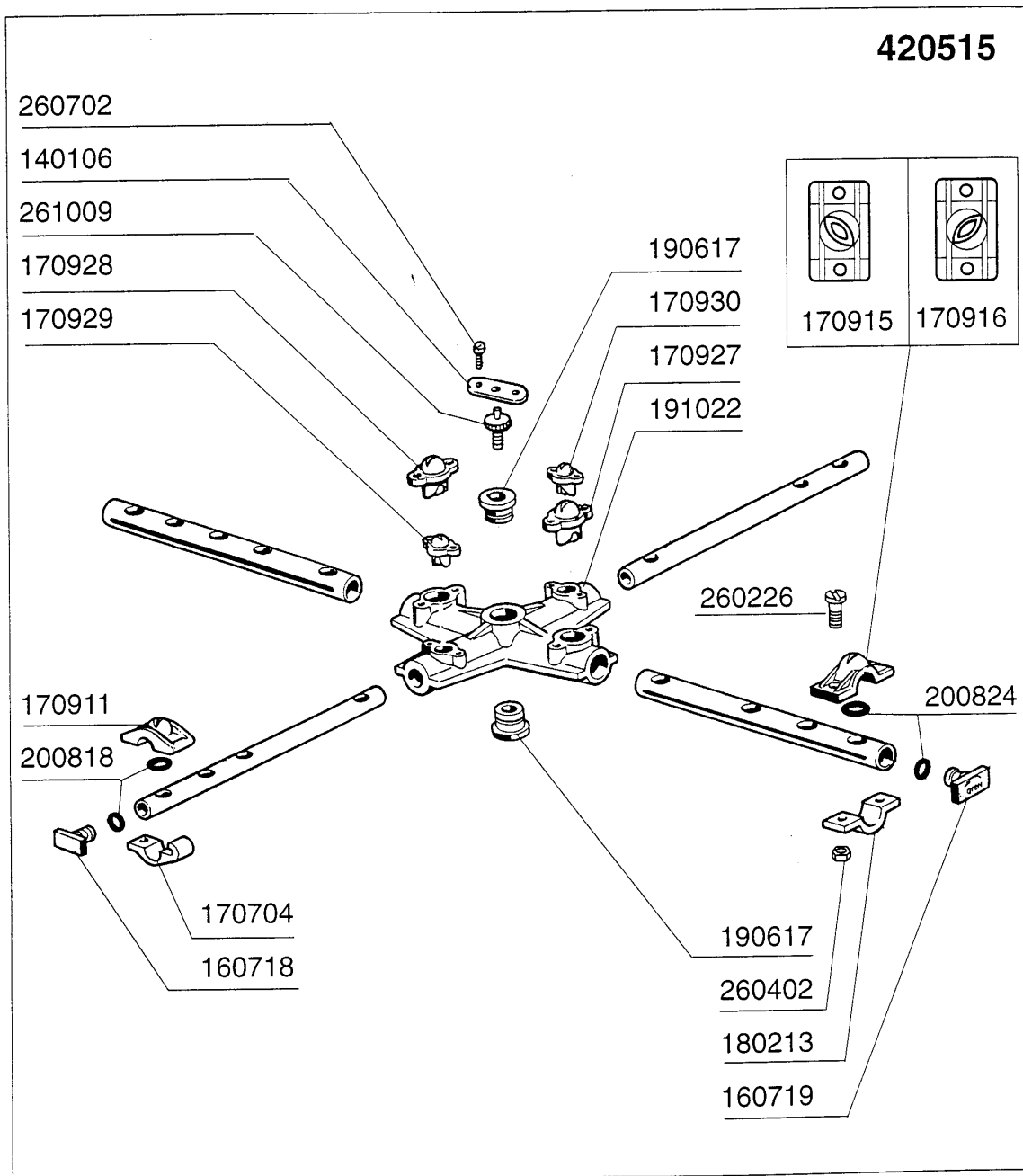
CODE	DESCRIPTION
112758	E-PANEL LP-LC
112801	WIRING
120275	TIMER
120444	CONTACTOR 9A 220V 50HZ
120459	AUXIL.RELE 16A 220V
120729	EIGHT-POLE SWITCH 16A 5 POS.
130152	GREEN LIGHT "WORKING MACHINE"
130168	LAMP MACHINE ON - LAV-LINE
130169	LAMP MACHINE READY (LAV-LINE)
150219	TERMINAL BLOCK 5P MMQ165VD26
150833	CABLE HOLDER BC/BR
160511	SPACER 7,93 MOP
160733	BLANK PLATES
260248	SPECIAL SCREW TB 5X12
260511	GROWER WASHER D.5
260529	WASH RACKSUPP.WASHER D24 STAIN
260538	WASHER 18X6X1,5 ST/ST
260542	WASHER D.5
290821	DISTANCE PIECE FOR SWITCH
350840	PLATE SUPPORT C70-C85-C140
440817	SNAP RING LSCB/1853/17/00
450323	KNOB FOR BC-BR-C95-C155
460384	NAME LP360
461075	PLATE LP-LC
631209	ANTI-NOISE FILTER



**9 - Wash arm**

<b>CODE</b>	<b>DESCRIPTION</b>
140108	PLATE FOR WASH ARM
160734	END PLUGS RINSE ARM
160736	WASH ARM PLUG F45
170946	RINSE JET/RINSE ARM B-F
170947	WASH JET/WASH ARM F45-80
190624	BUSH FOR PLASTIC ARM F45
190645	LOWER BUSH FOR WASH ARM F
200812	O-RING 1,78X17,17X20,73
200843	O RING 2X13X17
200844	O RING 2X9,5X13,5
200845	O RING 109 2,62X9,13X14,37
260711	SCREW 4,2X13 A2 DIN7972
261009	RETAIN.SCREW FOR WASH-RINSE AR
420526	PLASTIC WASH-RINSE ARM (F45)

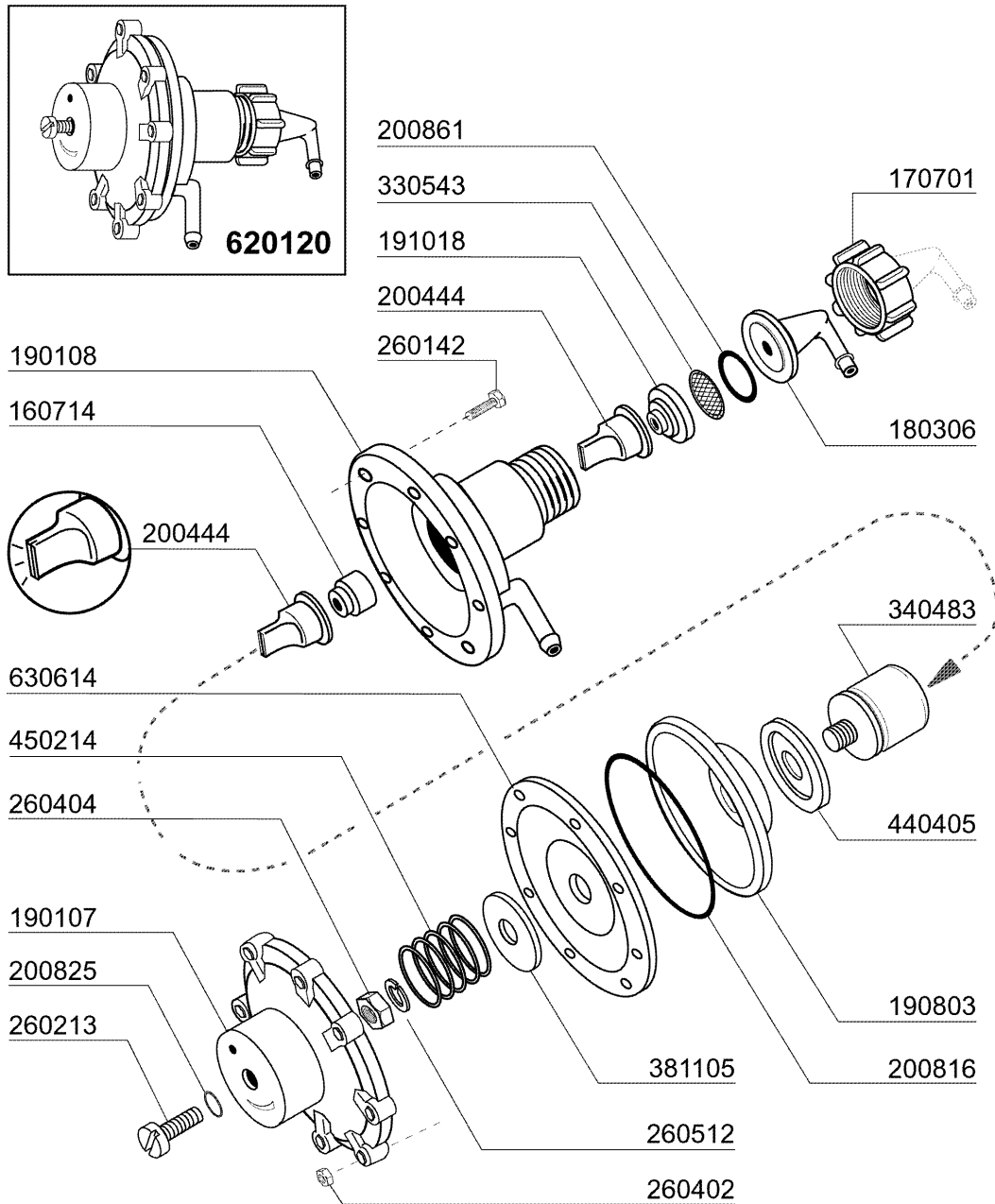




11 - 1998 S.A.G.

**10 - Wash arm**

<b>CODE</b>	<b>DESCRIPTION</b>
140106	PLATE F.CLAMP SCREW/WASH-RINSE
160718	PLUG F. RINSE ARM F2-C34M
160719	PLUG FOR WASH ARM D.18
170704	RINSE NOZZLE BOTTOM F-B-C33
170911	RINSE JET B23-F2-C34
170915	RIGHT JET B-F
170916	LEFT JET B-F
170927	WASH JET F2-C-GRAY
170928	IDLE JET F2-C-GRAY
170929	RINSE JET F2-C-GRAY
170930	IDLE JET F2-C-GRAY
180213	FLANGE F.JET LOCKING F2-C34
190617	BUSH
191022	WASH ARM CENTRAL CROSS F-B
200818	O-RING 1,78 X 6,75 X 10,31
200824	O-RING 1,78X12,42X15,98
260226	STAINL.ST TCP SCREW 4X12 A2 UN
260402	STAINLESS STEEL NUT D4 UNI 55
260702	SELF-TAPPING SCREW 4,2X9,5 DIN
261009	RETAIN.SCREW FOR WASH-RINSE AR
420515	WASH-RINSE ARM F45-C85



11 - Rinse aid injector

CODE	DESCRIPTION
160714	PLUG FOR RINSE AID INJECTOR MO
170701	LOCK NUT 1/2" F.INJECTOR
180306	NIPPLE F.RINSE AID INJECTOR
190107	COVER FOR RINSE AID DISPENSER
190108	VOLUTE FOR RINSE AID DISPENSER
190803	GASKET SUPPORT RING F.INJECT
191018	FILTER SUPPORT RINSE AID INJEC
200444	SUCTION VALVE RINSE INJECTOR
200816	O-RING 2,5X59,2X64,2 RINSE INJ
200825	O-RING 3X5X11 RINSE INJECTOR
200861	O-RING 14X18X2
260142	SCREW TE 4X16
260213	SCREW TCP 5X25
260402	STAINLESS STEEL NUT D4 UNI 55
260404	STAINLESS STEEL NUTS D6 UNI 55
260512	ST/ST GROWER WASHER D6
330543	FILTER RINSE AID INJECTOR D.17
340483	PISTON FOR RINSE AID DISPENSER
381105	DIAPHRAGME DISC
440405	GASKET FOR RINSE AID INJ.
450214	SPRING RINSE AID INJECTOR
620120	RINSE AID INJECTOR
630614	DIAPHRAGM RINSE INJECTOR